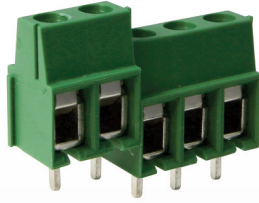


PCB Terminal Block

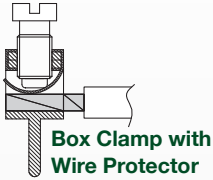
5.00 mm Pin Spacing

- Board Mount PCB
- 20A Current Rating
- Height 13.5mm
- Modular / Stackable, no dovetail version



MVE15xx-5-V

Front Wire Entry



Electrical Ratings

	B	C	D	-
Usergroup	B	C	D	-
Rated Voltage	300V	-	300V	450V
Rated Current	20A	-	20A	24A
Wire Size	<i>solid</i> 30-14 AWG <i>stranded</i> 30-14 AWG	-	30-14 AWG	0.25mm ² - 2.5mm ² 0.25mm ² - 2.5mm ²



Ordering Information

No. Poles	Length (mm)	Std. Pack	Order # - Modular	Order # - No Dovetails
2	10.0	200	MVE-152	MVE152-5-V-L
3	15.0	200	MVE-153	MVE153-5-V-L
4	20.0	100	MVE-154	MVE154-5-V-L
5	25.0	100	MVE-155	MVE155-5-V-L
6	30.0	100	MVE-156	MVE156-5-V-L
7	35.0	100	MVE-157	MVE157-5-V-L
8	40.0	100	MVE-158	MVE158-5-V-L
9	45.0	100	MVE-159	MVE159-5-V-L
10	50.0	100	MVE-1510	MVE1510-5-V-L
11	55.0	100	MVE-1511	MVE1511-5-V-L
12	60.0	100	MVE-1512	MVE1512-5-V-L
13	65.0	50	MVE-1513	MVE1513-5-V-L
14	70.0	50	MVE-1514	MVE1514-5-V-L
15	75.0	50	MVE-1515	MVE1515-5-V-L
16	80.0	50	MVE-1516	MVE1516-5-V-L
17	85.0	50	MVE-1517	MVE1517-5-V-L
18	90.0	50	MVE-1518	MVE1518-5-V-L
19	95.0	50	MVE-1519	MVE1519-5-V-L
20	100.0	50	MVE-1520	MVE1520-5-V-L
21	105.0	50	MVE-1521	MVE1521-5-V-L
22	110.0	50	MVE-1522	MVE1522-5-V-L
23	115.0	50	MVE-1523	MVE1523-5-V-L
24	120.0	50	MVE-1524	MVE1524-5-V-L

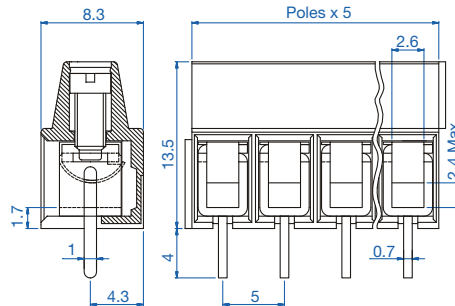
Material Specifications

Clamp	Tin-Plated Copper
Solder tab	Tin-Plated Copper
Screw	Galvanized Steel
Insulating Material	Polyamide
Flammability Class	V0 UL94
Operating Temperature	-30°C - +105°C

Installation Data

Screw Size	M2.5
Torque	0.4 Nm (3.6 lb.in.)
Stripping Length	max. 7mm
Clamp Opening	2.6 x 2.4mm
PCB Hole Size	1.5mm

Dimensions (mm)



Drilling Diagram

