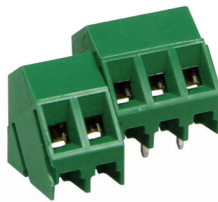


## PCB Terminal Block

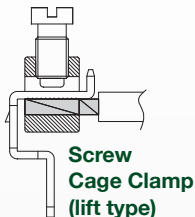
5.00 mm Pin Spacing

- Board Mount PCB
- 17.5A Current Rating
- Height 14.8mm
- Modular



# MVS15xx-5-IT

## 35° Angled Wire Entry



### Electrical Ratings

|               | Usergroup                 |   | C         |   | D  |   |
|---------------|---------------------------|---|-----------|---|--|---|
|               | B                         | C | D         |   |  |   |
| Rated Voltage | 300V                      | - | 300V      | - | 450V                                     | - |
| Rated Current | 17.5A                     | - | 17.5A     | - | 17.5A                                    | - |
| Wire Size     | <i>solid</i> 30-16 AWG    | - | 30-16 AWG | - | 0.25mm <sup>2</sup> - 2.5mm <sup>2</sup> | - |
|               | <i>stranded</i> 30-16 AWG | - | 30-16 AWG | - | 0.25mm <sup>2</sup> - 1.5mm <sup>2</sup> | - |

C **UL** US  
E178356

IEC

VDE  
N.40019705

### Ordering Information

| No. Poles | Length (mm) | Std. Pack | Order #       |
|-----------|-------------|-----------|---------------|
| 2         | 10          | 200       | MVS-152 (35)  |
| 3         | 15          | 200       | MVS-153 (35)  |
| 4         | 20          | 100       | MVS-154 (35)  |
| 5         | 25          | 100       | MVS-155 (35)  |
| 6         | 30          | 100       | MVS-156 (35)  |
| 7         | 35          | 100       | MVS-157 (35)  |
| 8         | 40          | 100       | MVS-158 (35)  |
| 9         | 45          | 100       | MVS-159 (35)  |
| 10        | 50          | 100       | MVS-1510 (35) |
| 11        | 55          | 100       | MVS-1511 (35) |
| 12        | 60          | 100       | MVS-1512 (35) |
| 13        | 65          | 50        | MVS-1513 (35) |
| 14        | 70          | 50        | MVS-1514 (35) |
| 15        | 75          | 50        | MVS-1515 (35) |
| 16        | 80          | 50        | MVS-1516 (35) |
| 17        | 85          | 50        | MVS-1517 (35) |
| 18        | 90          | 50        | MVS-1518 (35) |
| 19        | 95          | 50        | MVS-1519 (35) |
| 20        | 100         | 50        | MVS-1520 (35) |
| 21        | 105         | 50        | MVS-1521 (35) |
| 22        | 110         | 50        | MVS-1522 (35) |
| 23        | 115         | 50        | MVS-1523 (35) |
| 24        | 120         | 50        | MVS-1524 (35) |

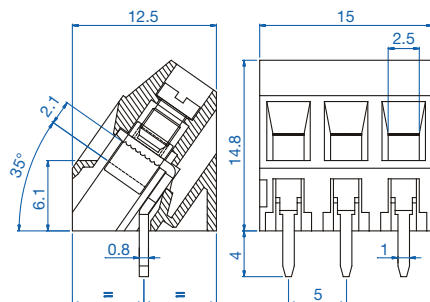
### Material Specifications

|                       |                   |
|-----------------------|-------------------|
| Clamp                 | Nickel Copper     |
| Solder tab            | Tin-Plated Copper |
| Screw                 | Galvanized Steel  |
| Insulating Material   | Polyamide         |
| Flammability Class    | V0 UL94           |
| Operating Temperature | -30°C - +105°C    |

### Installation Data

|                  |                    |
|------------------|--------------------|
| Screw Size       | M3                 |
| Torque           | 0.5Nm (4.5 lb.in.) |
| Stripping Length | max. 7mm           |
| Clamp Opening    | 2.5 x 2.1mm        |
| PCB Hole Size    | 1.5mm              |

### Dimensions (mm)



### Drilling Diagram

